

## SEPRO HR INCLINE VIBRATING SCREEN

### KEY ADVANTAGES

- Heavy duty bolted construction
- Circular throw
- Two bearing and dual shaft designs
- Interchangeable with Hewitt Robins™ units
- Wet or dry screening versions
- Single, double, triple deck versions
- Heavy duty scalping units available



Hewitt Robins is a registered trademark of Metso Minerals and Tata Group.

**Sepro Mineral Systems Corp.**  
9850 201 Street, Langley, British Columbia, Canada V1M 4A3  
Office: +[1] 604.888.5568 • Fax: +[1] 604.888.5521 • Toll free: +[1] 800.990.5568 North America  
sepro@seprosystems.com • www.seprosystems.com

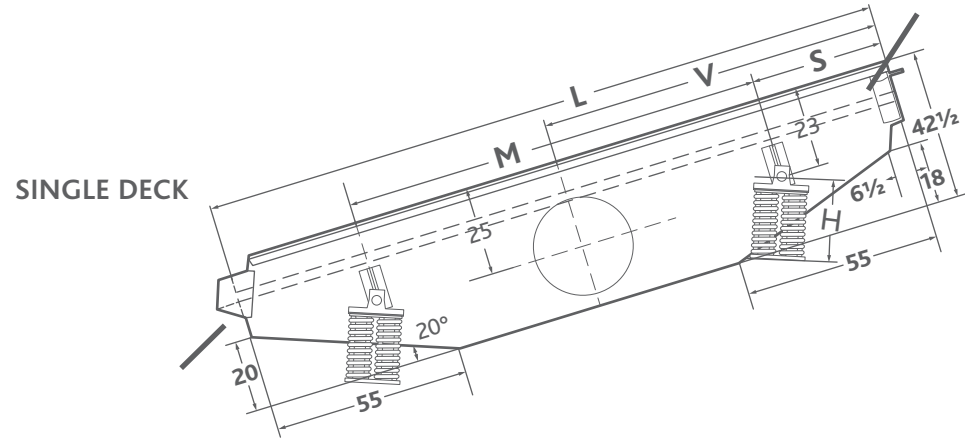


# SEPRO HR INCLINE VIBRATING SCREEN

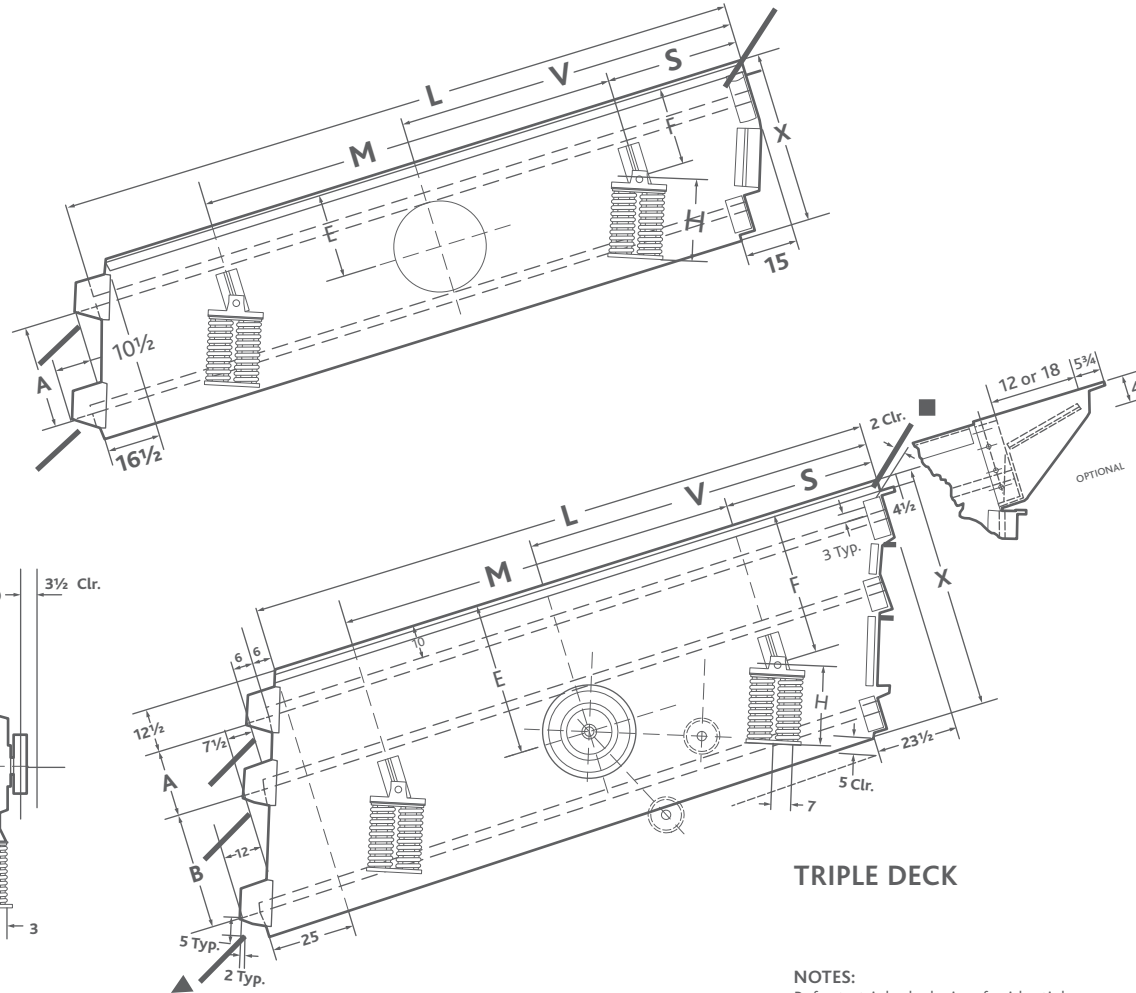
## SEPRO HR SCREENS

Use Certified Prints for construction purposes

### STYLE V-11, V-14 BASE MOUNTED UNITS



### DOUBLE DECK



### TRIPLE DECK

**NOTES:**  
Refer to triple deck view for identical dimensions not included in any other view.  
All dimensions are in inches.

### GENERAL DIMENSIONS — V-11, V-14

SIZE	DECKS	W	L	V	M	S	A	B	E	F	X	V-11 STYLE			V-14 STYLE		
												C = 11 1/2" D = 14"			C = 14 1/2" D = 16 1/2"		
												H	HP*	Approx. WT. (lbs.)	H	HP*	Approx. WT. (lbs.)
5 x 12	1			6'-0"		3'-0"	—	—	25"	23"	42 1/2"	20"	7 1/2	6100	20"	7 1/2	6700
	2	5'-4"	12'-0"	6'-0"	6'-0"	3'-0"	29"	—	25"	23"	48 1/2"	19 1/2"	10	8200	19 1/2"	10	8800
	3			6'-7"		3'-7"	20"	33"	45"	43"	72 1/2"	19"	15	10500	22 1/2"	15	11200
5 x 14	1			7'-0"		3'-6"	—	—	25"	23"	42 1/2"	20"	7 1/2	6700	19 1/2"	10	7300
	2	5'-4"	14'-0"	7'-0"	7'-0"	3'-6"	29"	—	25"	23"	48 1/2"	19 1/2"	10	8900	19 1/2"	15	9500
	3			7'-7"		4'-1"	20"	33"	45"	43"	72 1/2"	22 1/2"	15	11700	22 1/2"	20	12200
5 x 16	1			8'-0"		3'-1"	—	—	25"	23"	42 1/2"	19 1/2"	10	7300	19 1/2"	10	7900
	2	5'-4"	16'-0"	8'-0"	9'-10"	3'-1"	29"	—	25"	23"	48 1/2"	19 1/2"	15	9700	19"	15	10300
	3			8'-7"		3'-8"	20"	33"	45"	43"	72 1/2"	22 1/2"	20	12900	22 1/2"	20	13400
6 x 12	1			6'-0"		3'-0"	—	—	25"	23"	42 1/2"	20"	7 1/2	6900	19 1/2"	10	7300
	2	6'-4"	12'-0"	6'-0"	6'-0"	3'-0"	29"	—	25"	23"	48 1/2"	19 1/2"	10	9000	19 1/2"	15	9600
	3			6'-7"		3'-7"	20"	33"	45"	43"	72 1/2"	22 1/2"	15	11600	22 1/2"	20	12200
6 x 14	1			7'-0"		3'-6"	—	—	25"	23"	42 1/2"	19 1/2"	10	7200	19 1/2"	10	7900
	2	6'-4"	14'-0"	7'-0"	7'-0"	3'-6"	29"	—	25"	23"	48 1/2"	19 1/2"	15	9700	19"	15	10300
	3			7'-7"		4'-1"	20"	33"	45"	43"	72 1/2"	22 1/2"	20	12700	22 1/2"	20	13300
6 x 16	1			8'-0"		3'-1"	—	—	25"	23"	42 1/2"	19 1/2"	10	7900	19 1/2"	10	8500
	2	6'-4"	16'-0"	8'-0"	9'-10"	3'-1"	29"	—	25"	23"	48 1/2"	19"	15	1000	22 1/2"	15	11300
	3			8'-7"		3'-8"	20"	33"	45"	43"	72 1/2"	22"	20	14100	22"	25	14700
6 x 20	1			10'-0"		3'-9"	—	—	25"	23"	42 1/2"	19 1/2"	10	8700	19 1/2"	10	9300
	2	6'-4"	20'-0"	10'-0"	12'-6"	3'-9"	29"	—	25"	23"	48 1/2"	22 1/2"	20	12100	22 1/2"	20	12600
	3			10'-7"		4'-4"	20"	33"	45"	43"	72 1/2"	—	—	—	22 1/2"	25	17000
7 x 14	1			7'-0"		3'-6"	—	—	25"	23"	42 1/2"	19 1/2"	10	8200	19 1/2"	10	8700
	2	7'-4"	14'-0"	7'-0"	7'-0"	3'-6"	39"	—	33"	24"	60 1/2"	22"	20	11700	22 1/2"	20	12500
	3			7'-9"		4'-3"	24"	39"	53"	48"	84 1/2"	22"	25	15600	22"	30	16400
7 x 16	1			8'-0"		3'-1"	—	—	25"	23"	42 1/2"	19 1/2"	15	8800	19 1/2"	15	9700
	2	7'-4"	16'-0"	8'-0"	9'-10"	3'-1"	39"	—	33"	24"	60 1/2"	22 1/2"	20	12000	22 1/2"	25	13700
	3			8'-9"		3'-10"	24"	39"	53"	48"	84 1/2"	—	—	—	22"	30	18300
7 x 20	1			10'-0"		3'-9"	—	—	25"	23"	42 1/2"	19 1/2"	15	9700	19"	15	10300
	2	7'-4"	20'-0"	10'-0"	12'-6"	3'-9"	39"	—	33"	24"	60 1/2"	—	—	—	22"	25	15200
	3			10'-9"		4'-6"	24"	39"	53"	48"	84 1/2"	—	—	—	21 1/2"	30	20300
7 x 24	1			12'-0"		3'-7 1/2"	—	—	25"	23"	42 1/2"	—	—	—	22 1/2"	15	11600
	2	7'-4"	24'-0"	12'-0"	16'-9"	3'-7 1/2"	39"	—	33"	24"	60 1/2"	—	—	—	22"	30	17300
8 x 16	1			8'-0"		3'-1"	—	—	25"	23"	42 1/2"	23"	15	9600	22 1/2"	15	10300
	2	8'-4"	16'-0"	8'-0"	9'-10"	3'-1"	39"	—	33"	24"	60 1/2"	—	—	—	22"	25	14700
8 x 20	1	8'-4"	20'-0"	10'-0"	12'-6"	3'-9"	—	—	25"	23"	42 1/2"	—	—	—	22 1/2"	15	11200

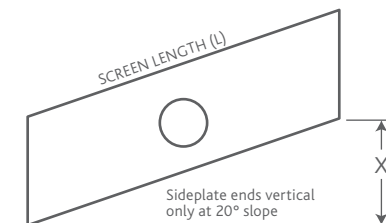
\*1800 rpm, high torque.

**NOTES:** Clearance Maintain 2" minimum between vibrating unit and all stationary structures except as noted.

▲ Minimum Inside Width of discharge chute W + 6"  
■ Maximum Outside Width of feed chute W - 8"

Use Certified Prints for construction purposes.

METRIC CONVERSION TABLE	
To Convert	Multiply by
Inches to Millimeters	25.4
Feet to Millimeters	304.8
Pounds to Kilograms	.4536



### ELEVATION CALCULATION

SLOPE	RISE (IN/FT.)
16°	0.27564
18°	0.30902
20°	0.34202
22°	0.37461
24°	0.40674

Multiply screen length by rise to find "X"