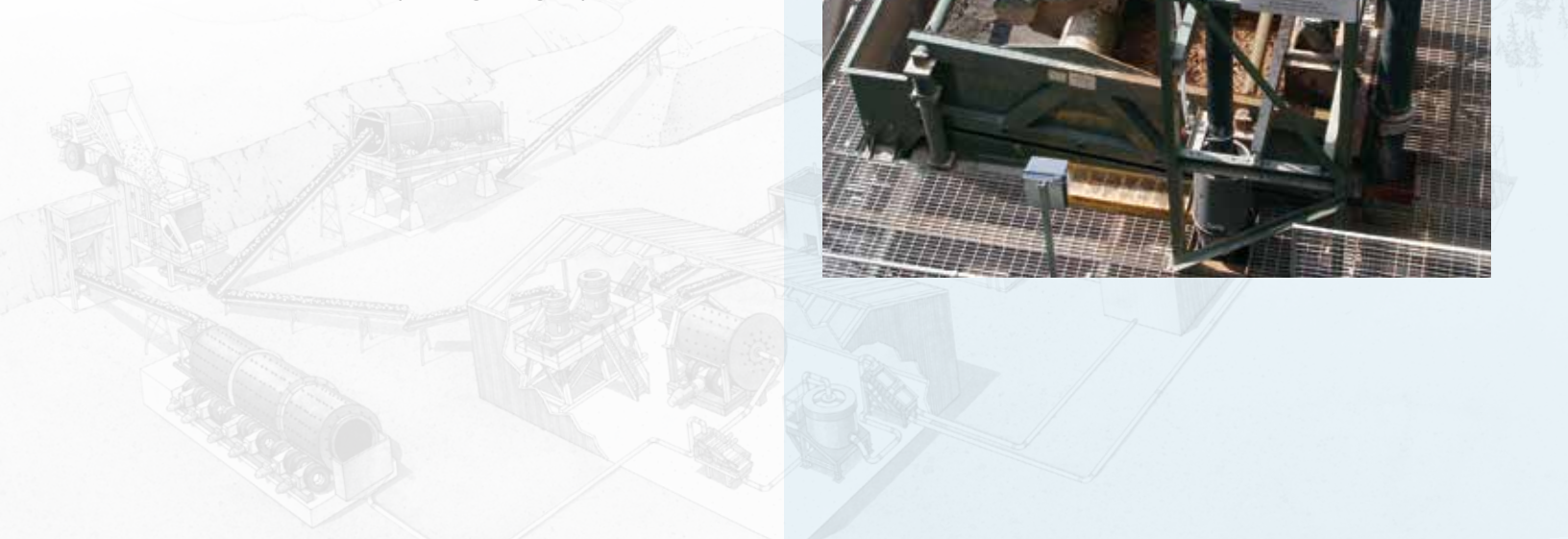


SEPRO FINESPRO 100 COMPACT SAND WASHING PLANT

APPLICATIONS AND FEATURES

- Removes silts, slimes and clays from sand to produce a saleable product
- Can be configured to perform simple washing of primary products
- Can be configured to recover fine minerals down to 50 micron
- Works in applications involving concrete, mortar and asphalt sands, quarry dust and crushed fines, lake and beach sands, silica sand, golf course sands, filter bed sands, recycled materials as well as iron ore
- The Hydro Cyclone can be configured to correct the fines content in order to meet a specific grading requirement

Sepro FinesPro 100 Compact Sand Washing Plant facilitates highly accurate separation of silts and clays from the final washed sand product. Designed to be portable and to remove excess fines simply and effectively.



SEPRO FINESPRO 100 COMPACT SAND WASHING PLANT

FINESPRO 100 SPECIFICATIONS

PUMP HD 150 SLURRY PUMP
40 HP 30 KW MOTOR

HYDRO CYCLONE 600 MM HYDRO CYCLONE

DEWATERING SCREEN SEPRO 4X12

RECOMMENDED SOLIDS CAPACITY 75 – 100 TPH

RECOMMENDED MAX FEED PARTICLE SIZE 1/4 INCH



The FinesPro 100 Sand Washing Plant:

- will produce 'in-spec' sands to your desired grade
- will eliminate the loss of quality fines to settling ponds or water treatment phase
- will ensure your final sand products are their highest quality
- will provide a clean, low moisture product for conveying and stockpiling
- will eliminate costs of expensive dredging to recover quality sand lost using old technology like bucket wheels, sand screws, and sand classifiers



Sepro Mineral Systems Corp.
9850 201 Street, Langley, British Columbia, Canada V1M 4A3
Office: +[1] 604.888.5568 • Fax: +[1] 604.888.5521 • Toll free: +[1] 800.990.5568 North America
sepro@seprosystems.com • www.seprosystems.com