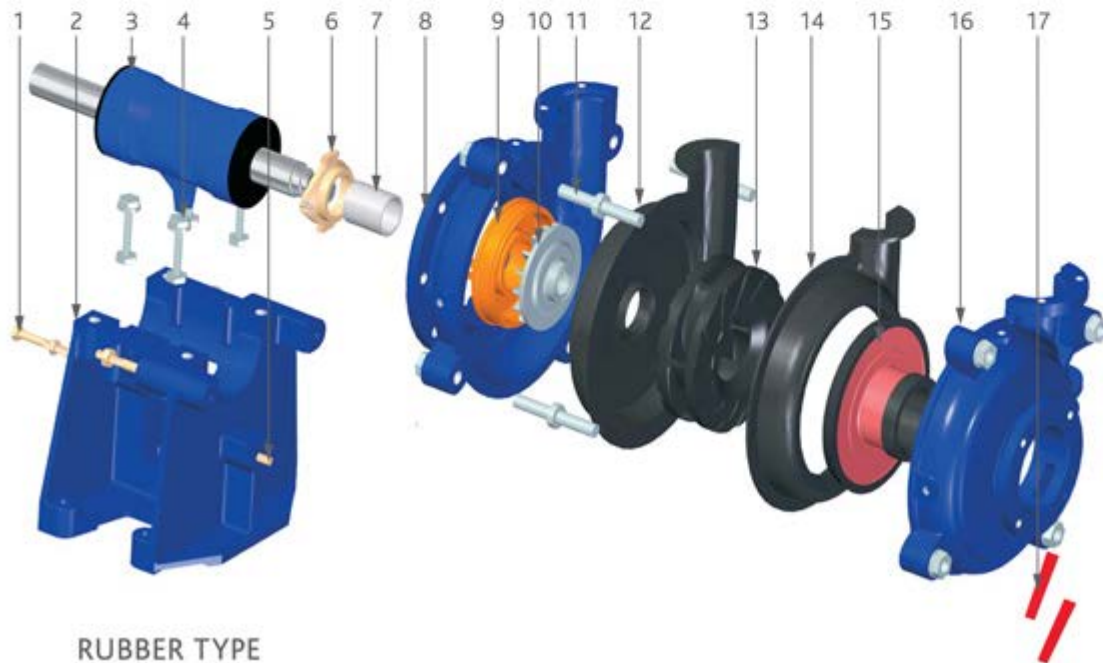


METAL TYPE

PUMP ASSEMBLY

- 1 Bearing assembly
- 2 Clamp bolt
- 3 Base
- 4 Frame plate stud
- 5 Gland
- 6 Frame plate
- 7 Expeller ring
- 8 Expeller ring seal
- 9 Volute liner seal
- 10 Impeller
- 11 Cover plate bolt
- 12 Volute
- 13 Discharge joint ring
- 14 Volute liner seal
- 15 Intake joint ring
- 16 Expeller
- 17 Frame plate liner insert
- 18 Throat bush
- 19 Cover plate
- 20 Cotter



RUBBER TYPE

PUMP ASSEMBLY

- 1 Adjusting screw
- 2 Base
- 3 Bearing assembly
- 4 Clamp bolt
- 5 Frame plate stud
- 6 Gland assembly
- 7 Shaft sleeve
- 8 Frame plate
- 9 Expeller ring
- 10 Expeller
- 11 Cover plate bolt
- 12 Frame plate liner
- 13 Impeller
- 14 Cover plate liner
- 15 Throat bush
- 16 Cover plate
- 17 Cotter